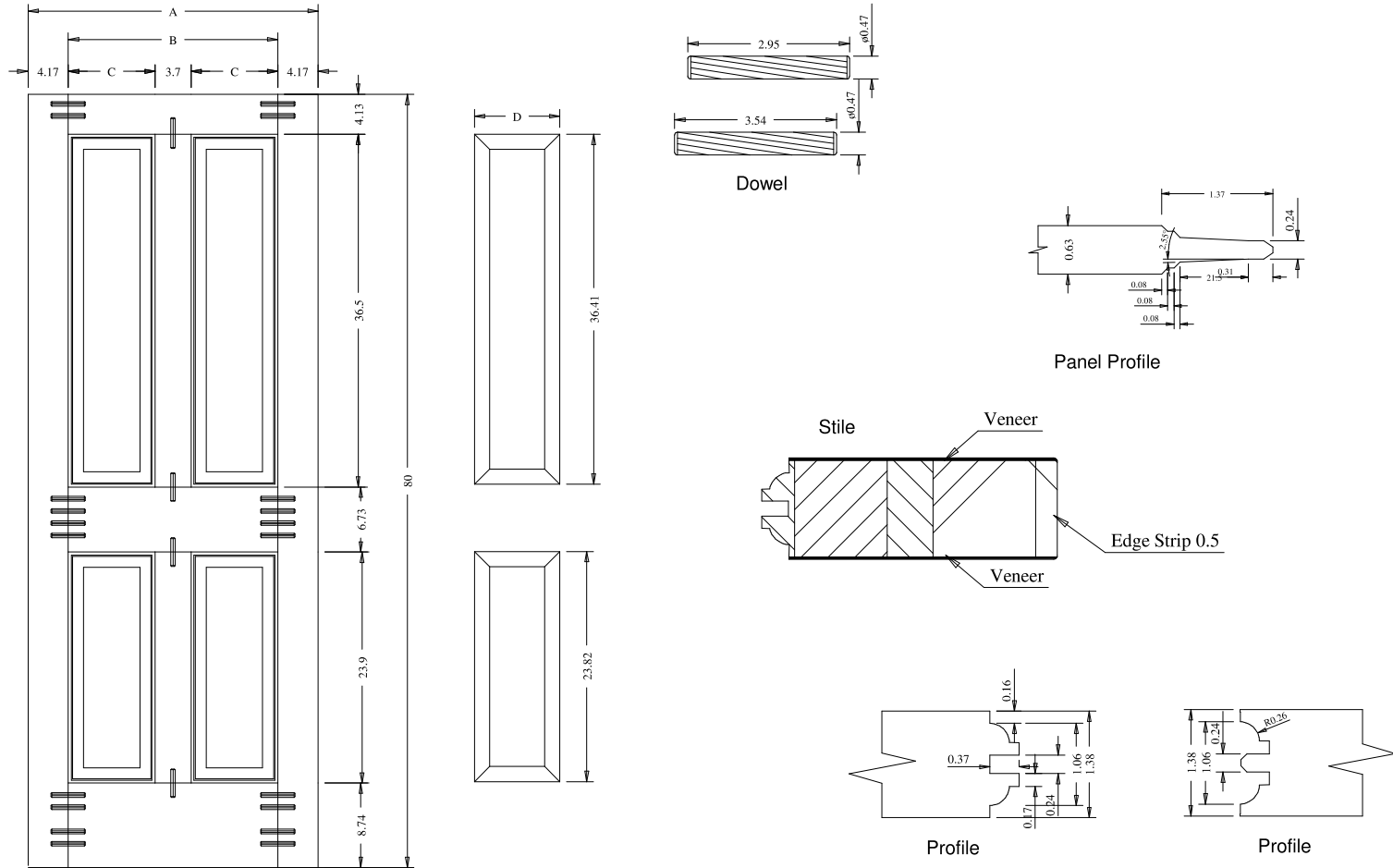


A	B	C
16"	10.88	10.84
15"	9.88	9.84
14"	8.88	8.84
12"	6.88	6.84

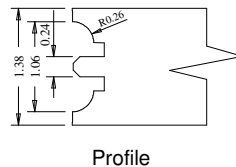
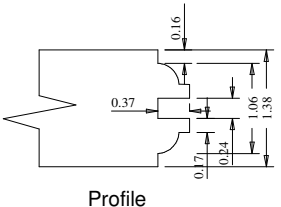
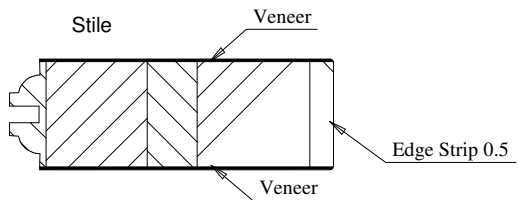
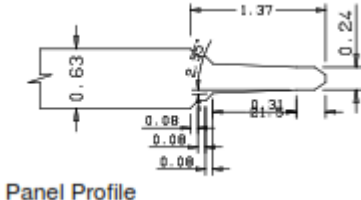
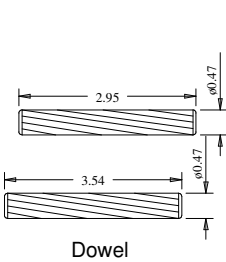
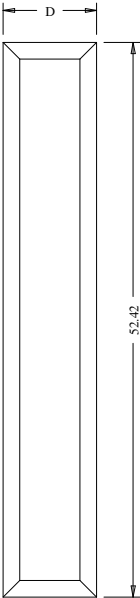
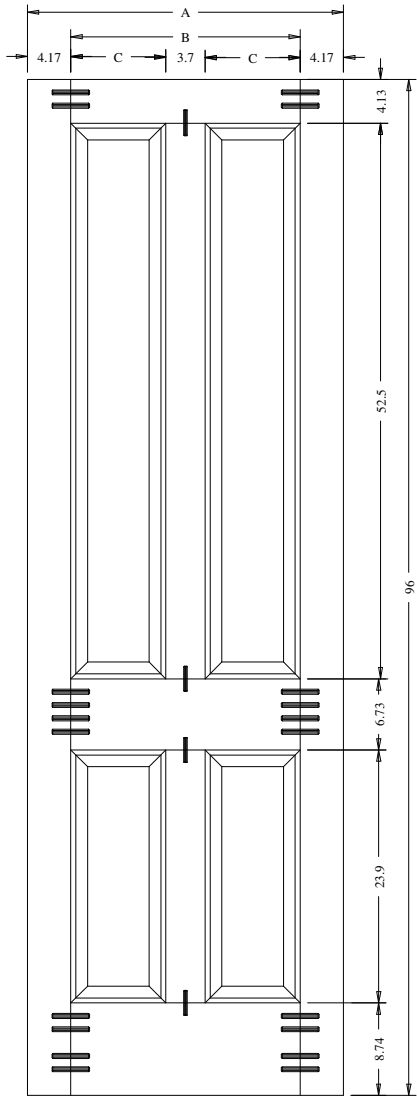
Titulo: RM#111 - 80" x 12" a 16" x 35mm			
SQUARE ONE BUILDING PRODUCTS	Client	963- Square One	
	Designer	Luiz Antônio	Approval Charles
	Date	23-06-2018	Date 23-06-2018
		Reviewed by Luiz Antônio	Review Date 23-06-2018



Obs:
Cavilha Divisão: Centralizar furração

A	B	C	D
36"	27.65	11.97	11.81
34"	25.65	10.97	10.82
32"	23.65	9.97	9.80
30"	21.65	8.97	8.81
28"	19.65	7.97	7.83
26"	17.65	6.97	6.81
24"	15.65	5.97	5.82

Título: RM#101 - 80" x 35mm - Clear						
SQUARE ONE BUILDING PRODUCTS	Client	963- Square One				
	Designer	Luiz Antônio	Approval	Odirlei	Reviewed by	Luiz Antônio
	Date	23-01-2018	Date	23-01-2018	Review Date	23-01-2018



	A	B	C	D
36"	27.65	11.97	11.81	
34"	25.65	10.97	10.82	
32"	23.65	9.97	9.80	
30"	21.65	8.97	8.81	
28"	19.65	7.97	7.83	
26"	17.65	6.97	6.81	
24"	15.65	5.97	5.82	

Titulo: RM#101 - 96" x 24" a 36" x 35mm

	Client	963- Square One				
	Designer	Luiz Antônio Cirico	Approval	Charles	Reviewed by	Luiz Antônio
	Date	26-03-2018	Date	26-03-2018	Review Date	26-03-2018